



BASIC ELEMENTS OF EQUIPMENT



LOTO Boards

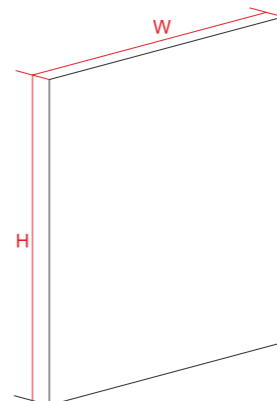
ASK ABOUT PRODUCT

Our shadow boards are an excellent solution when organising the LOTO system within a company.

- Ability to freely organise the shadows of lockout devices, safety locks, tags (hangers) and other tools
- Wide range of accessories
- Practically unlimited choice of equipment shadows and board dimensions
- Washable, easy to clean surface
- Simple installation – we will install the exact mounting elements you require
- Any background colour (yellow and white as standard) and shadow colour

Standard dimensions	
Height H (mm)	Width W (mm)
400 mm	250 mm
250 mm	400 mm
800 mm	600 mm
600 mm	800 mm
1000 mm	700 mm
700 mm	1000 mm

Others per request



- Metal and plastic hooks
- Angle bracket for padlocks (1-3 padlocks per bracket)
- Document boards with a clamping mechanism
- Mounting of pens and markers
- Pockets for tags
- Screw-on shelves



BASIC ELEMENTS OF EQUIPMENT



LOTO Cabinets



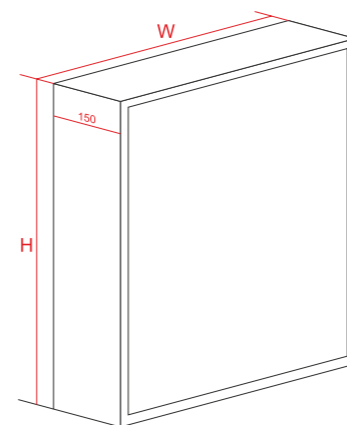
ASK ABOUT PRODUCT

LOTO cabinets are ideal for areas that require lockout / protection of tools, padlocks and lockout devices.

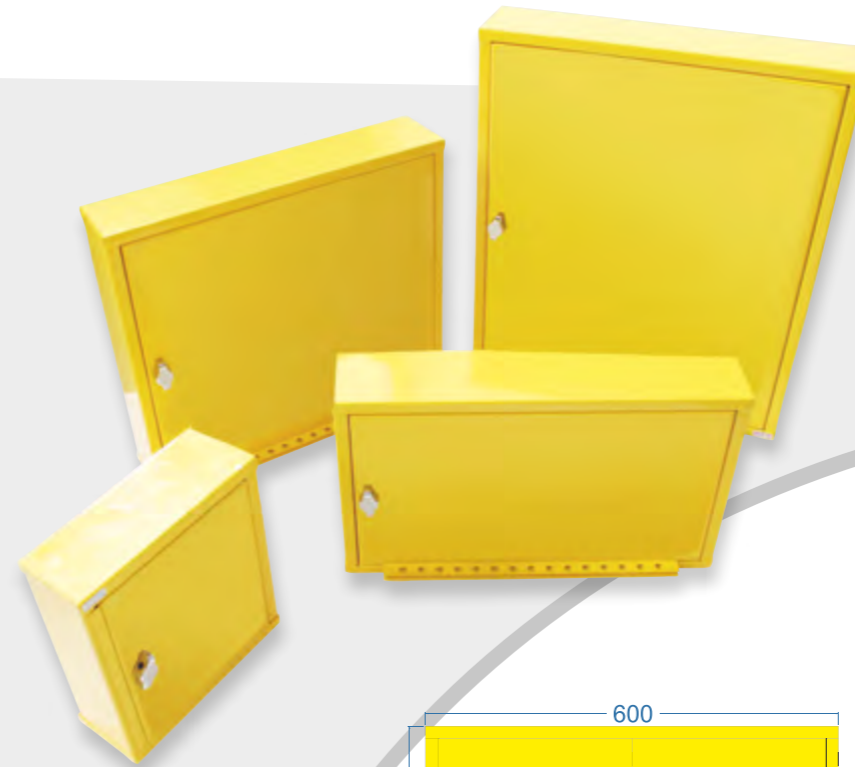
- Durable, yet lightweight polycarbonate
- The doors can be locked with a key or bolt
- Ability to freely organise the shadows of lockout devices, safety locks, tags (hangers) and other tools
- Wide range of accessories
- Practically unlimited choice of accessories and board dimensions
- Washable, easy to clean surface
- Simple installation – we will install the exact mounting elements you require
- Any background colour (yellow and white as standard) and shadow colour
- Prevents excessive accumulation of dust.

Standard dimensions		
Height H (mm)	Width W (mm)	Depth
400 mm	250 mm	150 mm
800 mm	600 mm	150 mm
1000 mm	700 mm	150 mm

Others per request
Minimum depth: 10 cm



- Metal and plastic hooks
- Angle bracket for padlocks (1-3 padlocks per bracket)
- Document boards with a clamping mechanism
- Mounting of pens and markers
- Pockets for tags
- Screw-on shelves



Padlock cabinets & boxes

Standard dimensions	
Dimension (mm)	Number of padlocks
260x200x100 mm	5 padlocks
260x300x100 mm	10 padlocks
510x300x100 mm	10 padlocks
510x420x100 mm	15 - 20 padlocks
510x540x100 mm	25 - 30 padlocks
510x750x100 mm	35 - 40 padlocks
510x900x100 mm	50 padlocks
600x900x100 mm	60 padlocks
690x900x100 mm	70 padlocks

width x height x depth



ASK ABOUT
PRODUCT

Other
to order

COLOUR:

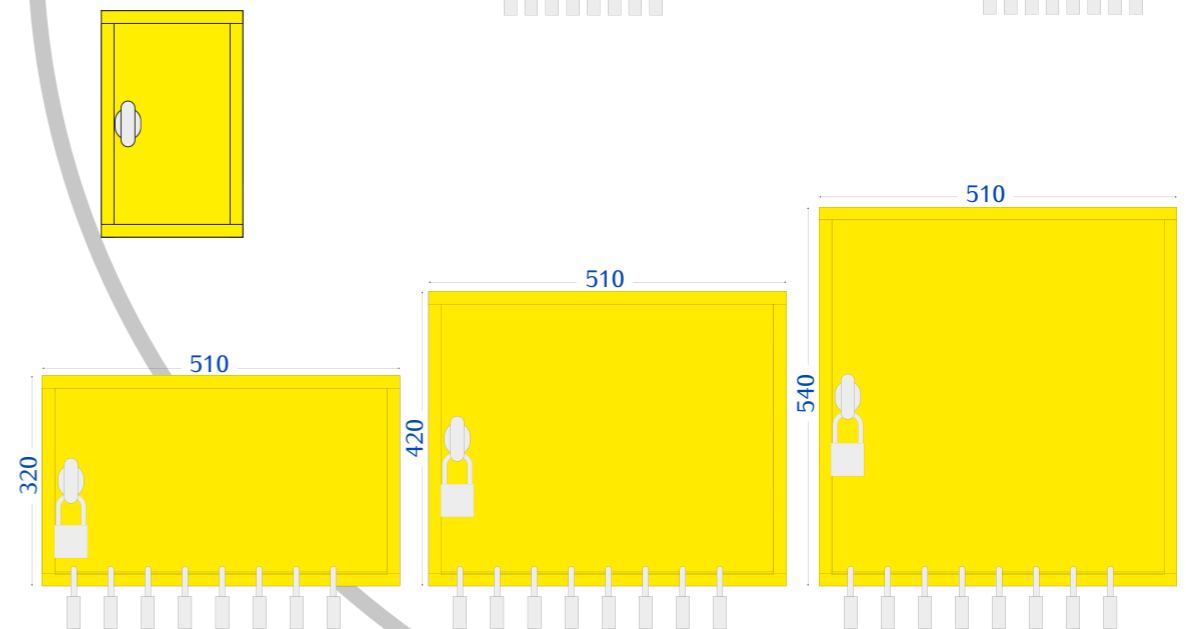
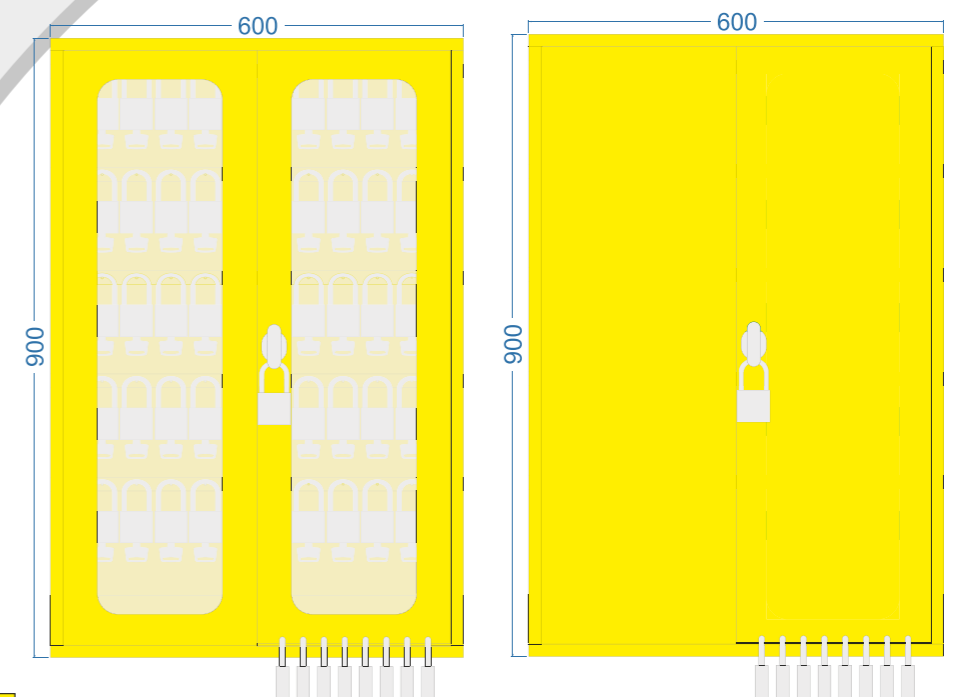
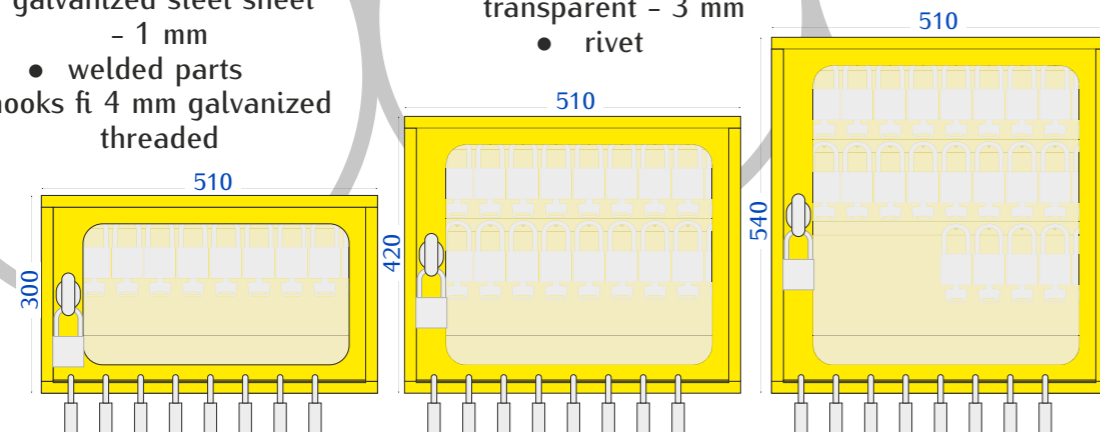
- powder painting
- yellow, red, green
- RAL colors

MATERIALS:

- galvanized steel sheet - 1 mm
- welded parts
- hooks fit 4 mm galvanized threaded

GLASS:

- solid polycarbonate transparent - 3 mm
- rivet





PADLOCK CABINET



300x160x100 mm

LOCK BOX



COMPONENT LOCK BOXES

- 1 component 15x15x15 cm
- 2 components 30x15x15 cm
- 3 components 45x15x15 cm
- 5 components 75x15x15 cm



ASK ABOUT PRODUCT

MATERIALS:

- galvanized steel sheet - 1 mm
- welded parts

COLOUR:

- yellow, red, green
- powder painting
- RAL colors

CABINETS WITH ROOM FOR LOTO INSTRUCTIONS



BIG 600x600x150 mm



SMALL 450x350x150 mm

Standard dimensions		
Dimension (mm)		Number of padlocks
510x300x100 mm		10 padlocks
510x420x100 mm		15 - 20 padlocks
510x540x100 mm		25 - 30 padlocks
510x750x100 mm		35 - 40 padlocks
510x900x100 mm		50 padlocks
600x900x100 mm		60 padlocks
690x900x100 mm		70 padlocks
260x200x100 mm		5 padlocks
260x300x100 mm		10 padlocks

Standard dimensions		
Dimension		
LOCKBOX 300x160x100 mm		
COMPONENT BOX 150x150x150 mm		1 component
COMPONENT BOX 300x150x150 mm		2 components
COMPONENT BOX 450x150x150 mm		3 components
COMPONENT BOX 750x150x150 mm		5 components
Cabinet with room for LOTO instructions small 450x350x150 mm		
Cabinet with room for LOTO instructions big 600x600x150 mm		

width x height x depth
other to order